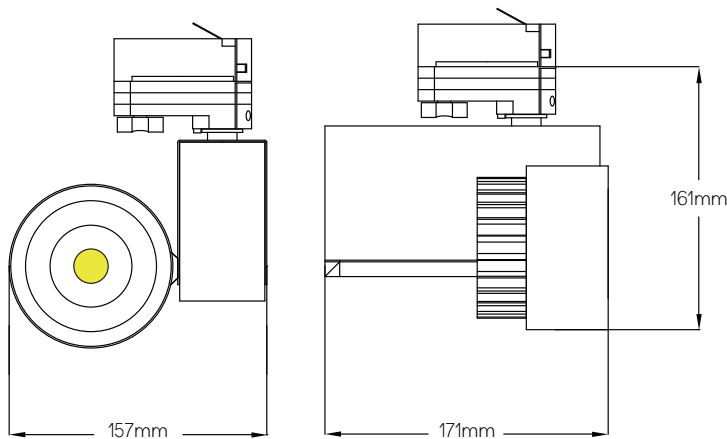




Quartet QTL Track Mounted Spotlight

MANUFACTURING IN THE
UNITED KINGDOM 

- Body constructed from powder coated steel
- Passive aluminium heat sink
- 82mm twist lock metalised polycarbonate reflector
- Interchangeable reflectors
- Tridonic SLE COB technology
- High colour rendering
- 3 step MacAdam CRI 80/90/95
- 2 step MacAdam CRI 97 Art
- Wireless option available
- 5 year warranty on LED system



Ambient operating temperature 25°

PRODUCT CODE	
Product	QTL QTL Spotlight
Driver	S Standard Driver
	D Dali Driver
	W Wireless Dim
	A 1-10V Driver c/w Potentiometer*
Output	10 1000 Lumens
	20 2000 Lumens
	30 3000 Lumens
	40 4000 Lumens
Colour Temperature	3 3000 Kelvin
	4 4000 Kelvin
Colour Rendering	S Ra80
	N Ra90
	F Ra95 Fashion**
	A Ra97 Art***
Beam Angle	20 20° Twist-lock Reflector
	34 34° Twist-lock Reflector
	50 50° Twist-lock Reflector
Mounting	TC 3-Circuit Track Adapter
	SF Surface Mounted
	SC Single Circuit Track Adapter
	DT Dali Track Adapter
Body Colour	W White
	B Black
	S Silver
	O Other/Specified

* Not available in all outputs
** 3250K only
*** 3000K only