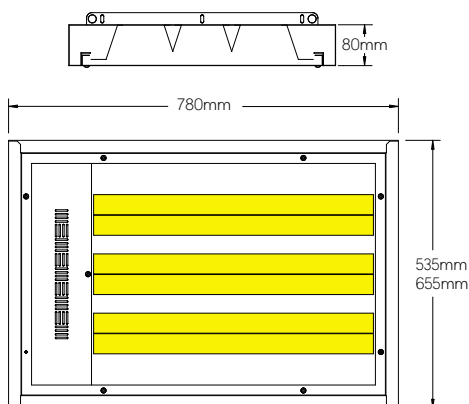


ROGUE

Ingress Protection High/Low Bay

MANUFACTURING IN THE
UNITED KINGDOM

- Designed for use in hostile environments where protection from dust and moisture is essential
- Body constructed from powder coated steel
- The polycarbonate diffuser is set within the powder coated frame which is retained into the body via screw fixings
- Aluminium high output reflectors
- Narrow or medium beam lenses available
- Tridonic or Philips LED modules and drivers
- Exceptional efficacies of up to 155 luminaire lumens per watt
- This luminaire also utilises a special paint process to ensure ultimate protection
- Various additional mounting brackets available
- IP65 rated
- Wireless option available
- Optional LiFePO4 Lithium Battery for extended life
- 5 year warranty on LED system



Ambient operating temperature 25°C

PRODUCT CODE

Product	ROG	Rogue
Body Size	4	535mm (12-24)
	6	535mm (28-36)
	8	655mm (37-48)
Driver	S	Standard Driver
	D	Dali Driver
	W	Wireless Dim
	A	1-10V Driver
Output	T	Touch Dimming Driver
	12	12200 Lumens
	14	13600 Lumens
	16	15900 Lumens
	18	18300 Lumens
	21	20800 Lumens
	24	23800 Lumens
	28	27500 Lumens
	31	31200 Lumens
	33	32800 Lumens
	36	35800 Lumens
Colour Temperature	37	36700 Lumens
	40	39300 Lumens
Sensor	42	41600 Lumens
	46	45700 Lumens
	48	47700 Lumens
Emergency	3	3000 Kelvin
	4	4000 Kelvin
	-	No Sensor
	PL	PIR Low (up to 3.5m)
Diffuser	PM	PIR Mid (up to 12m)
	PH	PIR High (up to 16m)
	-	No Emergency
Body Colour	EL	3 Hour Emergency
	ST	Self-Test 3 Hour Emergency
	ED	3 Hour Emergency DALI EM Pro
	RE	Remote Emergency
	LM	Lithium Emergency
Body Colour	CL	Clear
	OP	Opal
	NB	60° (narrow beam)
	MB	90° (medium beam)
	W	White
	B	Black

