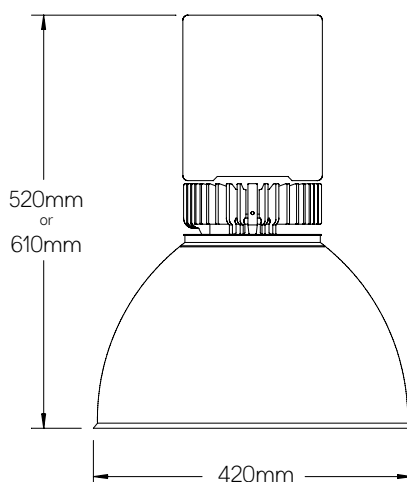




## DECO Suspended Pendant

MANUFACTURING IN THE  
**UNITED KINGDOM**

- Body constructed from powder coated steel
- Passive aluminium heat sink
- Tridonic LED modules and drivers
- Supplied with adjustable 3m drop wire suspension kit
- Surface mounting option available
- Option of opal or clear acrylic diffuser
- 3 step MacAdam CRI 80/90/95
- 2 step MacAdam CRI97
- L80 F10 > 55000 hours
- Various powder coating finishes
- Wireless option available
- Optional LiFePO4 Lithium Battery for extended life
- IP20 rated
- 5 year warranty on LED system



Ambient operating temperature 25°C



PRODUCT CODE		
<b>Product</b>	HD	Deco LED High Bay
<b>Body Size</b>	6	Standard (H 610mm)
	5	Compact (H 520mm)*
<b>Driver</b>	S	Standard Driver
	D	Dali Driver
	W	Wireless Dim
	A	1-10V Driver
<b>Output</b>	T	Touch Dimming Driver
	02	2100 Lumens
	03	3200 Lumens
	04	4600 Lumens
	05	5400 Lumens
	06	5900 Lumens
<b>Colour Temperature</b>	3	3000 Kelvin
	4	4000 Kelvin
<b>Emergency</b>	-	No Emergency
	EL	3 Hour Emergency
	ST	Self-Test 3 Hour Emergency
	ED	3 Hour Emergency DALI EM Pro
	LM	Lithium Emergency
<b>Diffuser</b>	OP	Ribbed Opal Acrylic
	CL	Ribbed Clear Acrylic
<b>Body Colour</b>	W	White
	B	Black
	S	Silver
	O	Other/Specified

\*Not available with emergency