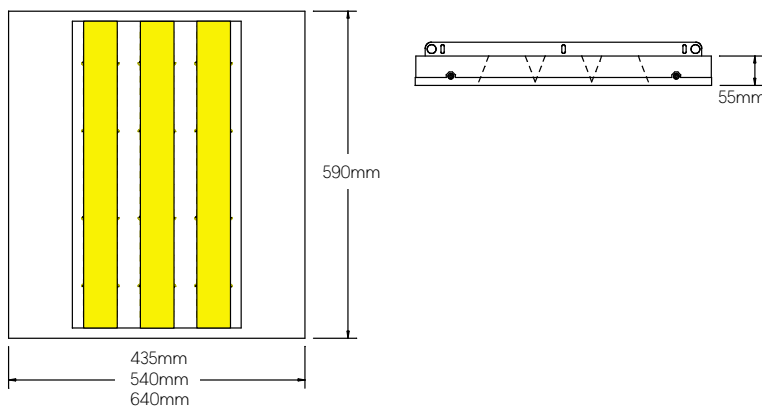


LANDO

High Output High/Low Bay

MANUFACTURING IN THE
UNITED KINGDOM

- Body constructed from powder coated steel
- Clear polycarbonate panel and aluminium high output reflectors
- Tridonic or Philips LED modules and drivers
- Complete with GST panel mounted plug
- Ideal for mounting heights of between 4 and 20 metres
- Various additional mounting brackets available
- Exceptional efficacies of up to 155 luminaire lumens per watt
- IP20 rated
- Wireless option available
- Optional LiFePO4 Lithium Battery for extended life
- 5 year warranty on LED system



Ambient operating temperature 25°C

PRODUCT CODE		
Product	LN	Lando
Body Size	4	435mm (12-24)
	6	540mm (28-36)
	8	640mm (37-48)
Driver	S	Standard Driver
	D	Dali Driver
	W	Wireless Dim
	A	1-10V Driver
Output	T	Touch Dimming Driver
	12	12200 Lumens
	14	13600 Lumens
	16	15900 Lumens
	18	18300 Lumens
	21	20800 Lumens
	24	23800 Lumens
	28	27500 Lumens
Colour Temperature	31	31200 Lumens
	33	32800 Lumens
	36	35800 Lumens
	37	36700 Lumens
	40	39300 Lumens
	42	41600 Lumens
	46	45700 Lumens
	48	47700 Lumens
Sensor	3	3000 Kelvin
	4	4000 Kelvin
	-	No Sensor
	PL	PIR Low (up to 3.5m)
Emergency	PM	PIR Mid (up to 12m)
	PH	PIR High (up to 16m)
	-	No Emergency
	EL	3 Hour Emergency
Diffuser	EX	3 Hour Emergency High Output
	ST	Self-Test 3 Hour Emergency
	ED	3 Hour Emergency DALI EM Pro
	LM	Lithium Emergency
Body Colour	CL	Clear
	OP	Opal
	MP	Microprism
	W	White
	B	Black

