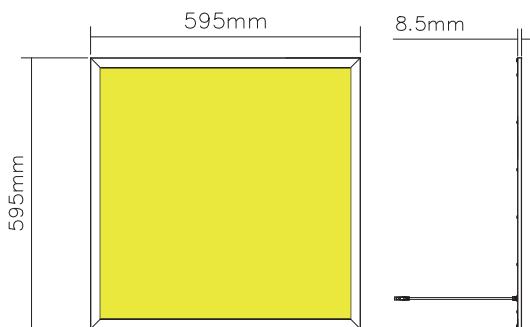


ENDOR ECO Tunable White Recessed & Surface

MANUFACTURING IN THE
UNITED KINGDOM

- Body constructed from painted aluminium
- High transmission microprism diffuser to aid in achieving UGR<19
- Tridonic tunable white LED modules and drivers
- Tuneable 2700k to 6500k
- Designed to suit 15mm & 25mm T-bar ceilings
- Surface mounted option
- Optional 3 way inbuilt CCT switch for colour temperature change between 3000k/4000k/6500k
- Wireless option available
- Optional LiFePO4 Lithium Battery for extended life
- IK02 rated
- IP20 rated
- 5 year warranty on LED system



PRODUCT CODE		
Product	ENDEC	Endor Eco Tuneable White
Mounting	RC	Recessed
	SF	Surface mount kit
Body Size	66	595mm X 595mm
	S	Standard Driver + CCT switch *
Driver	DT	Dali DT8 Driver
	W	Wireless
	CS	Colour Switch
Output 4000k	03	3160 Lumens
	04	3990 Lumens
	05	4560 Lumens
Colour Temperature	TW	2700k - 6500k
Emergency	-	No Emergency
	EL	3 Hour Emergency
	ST	Self-Test 3 Hour Emergency
	ED	3 Hour Emergency DALI EM Pro
Diffuser	LM	Lithium Emergency
	MP	Microprism
Body Colour	MPTPA	TPA Microprism
	W	White

* Switching during operation is not permitted. The LED driver must be turned off.

Ambient operating temperature 25°C - Do not cover back of fitting

