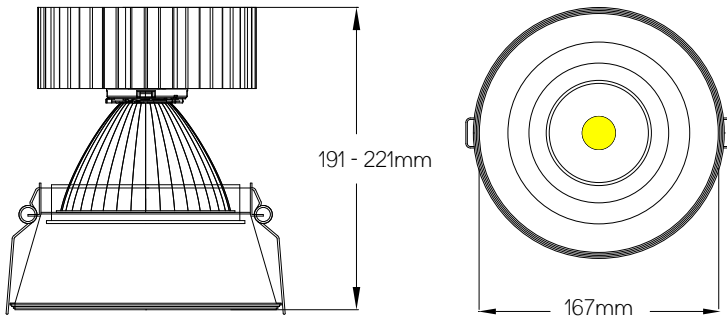




Quartet QRP 111mm Deep Downlight

MANUFACTURING IN THE
UNITED KINGDOM

- Die cast aluminium housing with passive aluminium heatsink
- Xicato LED modules and drivers
- 1x2 step MacAdams over life
- Interchangeable reflectors
- Accessories available
- XIM compatible
- 5 year warranty on LED system



Cut out size
Trim: 160mm / Trimless: 167mm

Height dependant on package selected
Ambient operating temperature 25°C - Do not cover back of fitting
Due to constant product development specification may change without prior notification

PRODUCT CODE	
Product	QRP QRP LED Downlight
Reflector Size	111 111mm Diameter
Driver	- Standard Driver
	D DALI Driver
	B DSI Driver*
	A 1-10V Driver
	C Triac Driver
T Touch Dimming Driver	
Output	13 1300 Lumens
	20 2000 Lumens
	30 3000 Lumens
	40 4000 Lumens
	50 5000 Lumens
Colour Temperature	27 2700 Kelvin
	30 3000 Kelvin
	35 3500 Kelvin
	40 4000 Kelvin
Colour Rendering	- Ra83 Standard
	A Ra97 Artist Series**
	V Ra83 Vibrant***
	R Ra96 Vibrant***
	B Ra95 Beauty Series****
Beam Angle (9mm LES)	10 10° Twist-lock Reflector
	15 15° Reflector
	30 30° Reflector
Beam Angle (19mm LES)	40 40° Reflector
	- No Extras
Extras	EL 3 Hour Emergency Pack
	ST Self-Test 3 Hour Emergency Pack
	ED 3 Hours Emergency DALI EM Pro
	CF Concealed Fix
	CE Concealed Fix c/w Emergency Pack
Body Colour	W White
	B Black
	S Silver

* Min 3000lm
** Max 4000lm
*** 3000K only
**** Max 2000lm / 2700K only