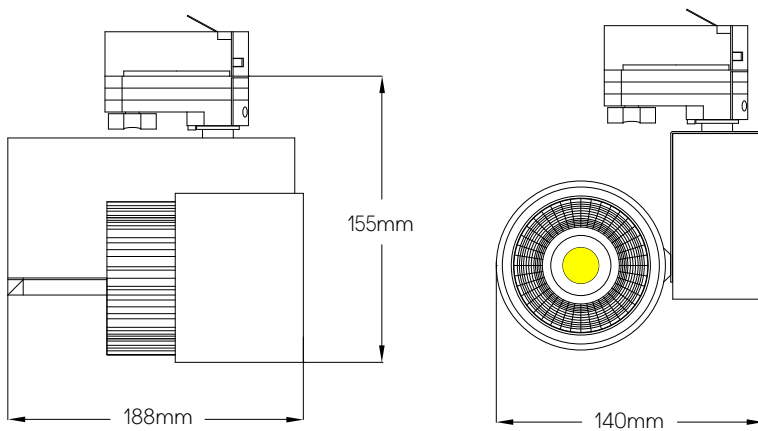




## QUARTET QUN Track Mounted Spotlight

MANUFACTURING IN THE  
**UNITED KINGDOM**

- Body constructed from powder coated steel
- Passive cooling aluminium heatsink
- Twist lock metalised polycarbonate reflector
- Interchangeable reflectors
- Tridonic LED modules and drivers
- Surface mount version available for areas without track
- High colour rendering
- 3 step MacAdam CRI 80/90/95
- 2 step MacAdam CRI 97 Art
- Anti-Glare cowl and barn door accessories available
- Wireless option available
- 5 year warranty on LED system



PRODUCT CODE	
<b>Product</b>	<b>QUN</b> QUN Spotlight
<b>Driver</b>	S Standard Driver
	D Dali Driver
	W Wireless Dim
	A 1-10V Driver C/W Potentiometer*
<b>Output</b>	10 900 Lumens
	15 1500 Lumens
	20 2100 Lumens
	25 2700 Lumens
<b>Colour Temperature</b>	2 2700 Kelvin
	3 3000 Kelvin
	4 4000 Kelvin
	S 80
<b>CRI</b>	N 90
	F 95 Fashion**
	A 97 Art***
<b>Beam Angle</b>	S Spot Twist-lock Reflector
	M Medium Twist-lock Reflector
	W Wide Twist-lock Reflector
<b>Mounting</b>	TC 3-Circuit Track Adapter
	SC Single Circuit Track Adapter
	DT Dali Track Adapter
	SF Surface Mounted
<b>Body Colour</b>	W White
	B Black
	S Silver
	O Other/Specified

\* Not available in all outputs  
\*\* 3250K only  
\*\*\* 3000K only

Ambient operating temperature 25°C

