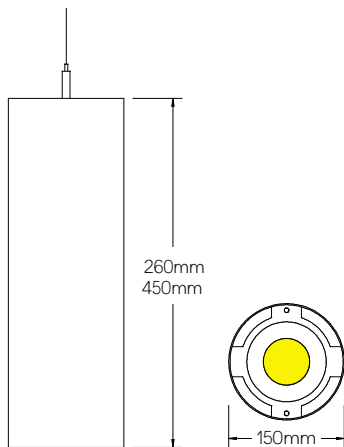


SHUTTLE

Tubular Suspended Pendant

MANUFACTURING IN THE
UNITED KINGDOM

- Laser cut steel construction
- Aluminium heat sink
- Tridonic or Xicato LED modules and drivers
- Supplied with adjustable 3m drop wire suspension kit
- Downlight only
- Bespoke/project specific sizes and outputs made to order
- Various powder coating finishes
- IP20 rated
- 5 year warranty on LED system



Ambient operating temperature 25°C

PRODUCT CODE	
Product	STL Shuttle LED Pendant
Body Size	02 260mm
	04 450mm
Driver	- Standard Driver
	D Dali Driver
	B DSI Driver
	A 1-10V Driver
	T Touch Dimming Driver
Output (260mm)	01 1300 Lumens
	02 2000 Lumens
Output (450mm)	01 1300 Lumens
	02 2000 Lumens
	03 3000 Lumens
	04 4000 Lumens
	05 5000 Lumens
Colour Temperature	27 2700 Kelvin
	30 3000 Kelvin
	35 3500 Kelvin
	40 4000 Kelvin
Colour Rendering	- Ra83 Standard
	A Ra97 Artist Series
	V Ra83 Vibrant
	R Ra96 Vibrant
	B Ra95 Beauty Series
Beam Angle	10 10° Twist-lock Reflector
	30 30° Twist-lock Reflector
	45 45° Twist-lock Reflector
Body Colour	W White
	B Black
	S Silver
	G Gold
Cable Colour	C Custom
	W White PVC
	B Black PVC
	G Grey PVC
	T Transparent
	C Custom