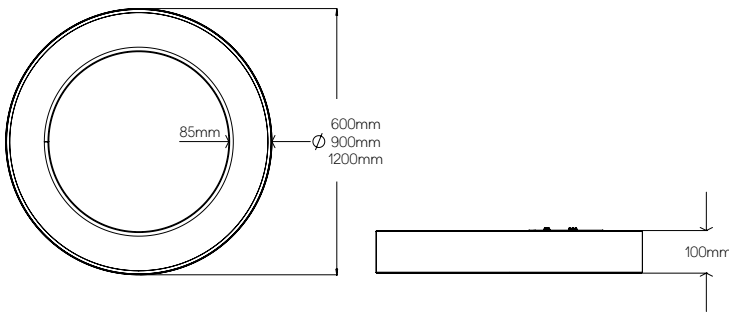




SOLAR Circular Pendant

MANUFACTURING IN THE
UNITED KINGDOM

- Zintec steel single piece housing (meaning no on-site assembly)
- High transmission opal diffuser
- Tridonic or Philips LED modules and drivers
- Supplied with adjustable 3m drop wire suspension kit
- Supplied pre-wired with 3m flex
- Bespoke outputs made to order
- Various powder coating finishes
- IP20 rated
- 5 year warranty on LED system



Ambient operating temperature 25°C

PRODUCT CODE

Product	SOL	Solar LED Pendant
Body Size	06	600mm
	09	900mm
	12	1200mm
Driver	-	Standard Driver
	D	Dali Driver
	B	DSI Driver
	A	1-10V Driver
Output (600mm)	T	Touch Dimming Driver
Output (900mm)	07	6500 Lumens
	10	10100 Lumens
Output (1200mm)	10	9900 Lumens
	16	15700 Lumens
Colour Temperature	12	12800 Lumens
	20	20300 Lumens
Colour Temperature	30	3000 Kelvin
	-	4000 Kelvin
RA (Colour Rendering)	-	Ra80
	A	Ra90
Emergency	-	No Emergency
	EL	3 Hour Emergency
	ST	Self-Test 3 Hour Emergency
	ED	3 Hour Emergency DALI EM Pro
Body Colour	W	White
	B	Black
	S	Silver
	G	Gold
	C	Custom
Cable Colour	W	White PVC
	B	Black PVC
	G	Grey PVC
	T	Transparent
	C	Custom