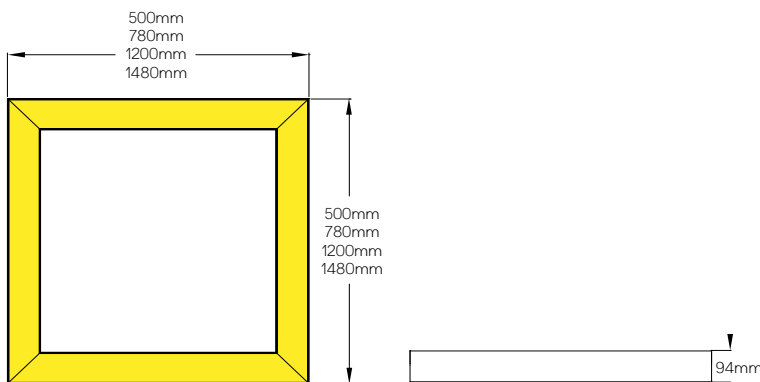


SPACE

Square or Rectangular Pendant

MANUFACTURING IN THE UNITED KINGDOM

- Extruded aluminium single piece housing (meaning no on-site assembly)
- High transmission opal diffuser
- Tridonic or Philips LED modules and drivers
- Supplied with adjustable 3m drop wire suspension kit
- Supplied pre-wired with 3m flex
- Bespoke/project specific sizes and outputs made to order
- Various powder coating finishes
- IP20 rated
- 5 year warranty on LED system



Ambient operating temperature 25°C

PRODUCT CODE

Product	SPA	Space LED Pendant
Body Size	05	500mm*
	08	780mm
	12	1200mm
	15	1480mm
Driver	-	Standard Driver
	D	Dali Driver
	B	DSI Driver
	A	1-10V Driver
	T	Touch Dimming Driver
Output (500mm)	05	4500 Lumens
	06	6000 Lumens
Output (780mm)	07	7500 Lumens
	10	10000 Lumens
	16	16000 Lumens
Output (1200mm)	12	12000 Lumens
	16	16000 Lumens
	26	25500 Lumens
Output (1480mm)	15	14500 Lumens
	20	19500 Lumens
	32	32000 Lumens
Colour Temperature	30	3000 Kelvin
	-	4000 Kelvin
RA (Colour Rendering)	-	Ra80
	A	Ra90
Emergency	-	No Emergency
	EL	3 Hour Emergency
	ST	Self-Test 3 Hour Emergency
	ED	3 Hour Emergency DALI EM Pro
Body Colour	-	White
	B	Black
	S	Silver
	G	Gold
	C	Custom
	Cable Colour	W
B		Black PVC
G		Grey PVC
T		Transparent
C		Custom

*Not available with emergency