



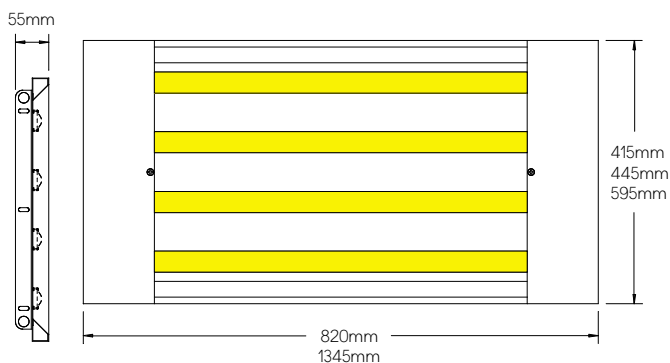
EMPIRE

High Output High/Low Bay

MANUFACTURING IN THE
UNITED KINGDOM

- Body constructed from powder coated zintec steel
- Choice of lens for either rack or high open areas delivering unrivalled uniformity
- Tridonic or Philips LED modules and drivers
- First branded LED components make this luminaire much more efficient than most far east alternatives
- Slim, linear, specification grade luminaire providing exceptional efficacies of over 150 luminaire lumens per watt
- Minimum 50% energy savings compared to conventional light sources with reductions in maintenance costs
- Various additional mounting brackets available
- 5 year warranty on LED system

PRODUCT CODE	
Product	EP Empire LED High Bay
	- Standard (24000-32000lm)
Body Size	C Compact (14000-21000lm)
	XL Extra Large (36000-40000lm)
	- Standard Driver
Driver	D Dali Driver
	B DSI Driver
	A 1-10V Driver
	T Touch Dimming Driver
	14 14000lm (delivered 13213 - 85W)
	16 16000lm (delivered 15029 - 99W)
	18 18000lm (delivered 16867 - 114W)
	21 21000lm (delivered 19819 - 127W)
	24 24000lm (delivered 22543 - 148W)
	28 28000lm (delivered 27089 - 185W)
	32 32000lm (delivered 30620 - 215W)
	36 36000lm (delivered 32292 - 227W)
	40 40000lm (delivered 36382 - 262W)
Output <small>(delivered output based on narrow beam lens)</small>	
Colour Temperature	30 3000 Kelvin
	- 4000 Kelvin
	- No Sensor
Sensor	TS Thumb Sensor
	PL PIR Low (up to 3.5m)
	PM PIR Mid (up to 12m)
	PH PIR High (up to 16m)
	- No Emergency
Emergency	EL 3 Hour Emergency
	EX 3 Hour Emergency High Output
	ST Self-Test 3 Hour Emergency
	ED 3 Hour Emergency Dali EM Pro
Diffuser	NB 60° (narrow beam)
	MB 90° (medium beam)
	OP Opal



Ambient operating temperature 25°C

