

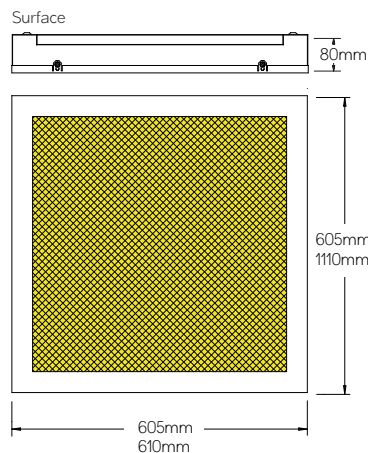
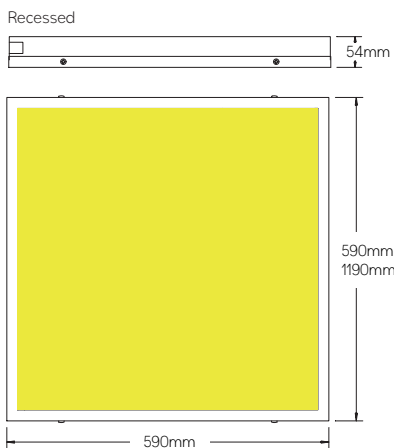
ENDOR High Output Panel

MANUFACTURING IN THE
UNITED KINGDOM

- Body constructed from powder coated zintec steel
- High transmission opal panel which allows it to be a direct one for one replacement but still keeps the initial light levels and uniformity
- Tridonic or Philips LED modules and drivers
- Designed to suit 25mm T-bar ceilings
- First branded LED components make this luminaire much more efficient than most far east alternatives
- Bespoke/project specific sizes and outputs made to order
- Microprism diffuser available for glare control
- IP20 rated
- 5 year warranty on LED system

PRODUCT CODE

Product	END	Endor LED Panel
Mounting	-	Recessed
	SF	Surface
Body Size	66	600 X 600
	126	1200 X 600
Driver	-	Standard Driver
	D	Dali Driver
	B	DSI Driver
	A	1-10V Driver
	T	Touch Dimming Driver
Output (600x600)	04	4000 (delivered 3293 - 27W)
	05	5000 (delivered 4056 - 34W)
	06	6000 (delivered 4823 - 42W)
	07	7000 (delivered 5550 - 50W)
Output (1200x600)	08	8000 (delivered 6584 - 54W)
	10	10000 (delivered 8112 - 68W)
	12	12000 (delivered 9646 - 84W)
	14	14000 (delivered 11100 - 100W)
Colour Temperature	30	3000 Kelvin
	-	4000 Kelvin
Sensor	-	No Sensor
	MS	Mini Sensor
Emergency	-	No Emergency
	EL	3 Hour Emergency
	ST	Self-Test 3 Hour Emergency
	ED	3 Hour Emergency DALI EM Pro
Diffuser	-	Opal
	MP	Microprism
Body Colour	-	White
	B	Black
	S	Silver
	C	Custom



Ambient operating temperature 25°C - Do not cover back of fitting