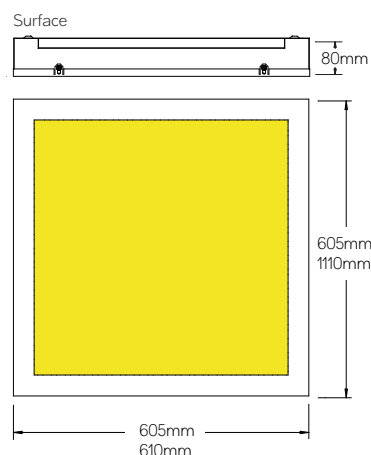
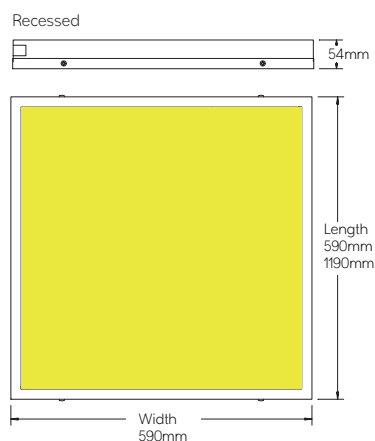


## ENDOR Recessed & Surface

MANUFACTURING IN THE  
**UNITED KINGDOM**

- Body constructed from powder coated steel
- High transmission opal diffuser
- Microprism diffuser available to aid in achieving UGR<19
- Tridonic or Philips LED modules and drivers
- Designed to suit 25mm T-bar ceilings
- Surface mounted option
- Bespoke/project specific sizes, and outputs made to order
- Various powder coated finishes
- Wireless option available
- Optional LiFePO4 Lithium Battery for extended life
- IP20 rated
- 5 year warranty on LED system



Ambient operating temperature 25°C - Do not cover back of fitting

### PRODUCT CODE

<b>Product</b>	<b>END</b>	Endor
<b>Mounting</b>	<b>RC</b>	Recessed
	<b>SF</b>	Surface
<b>Body Size (RC)</b>	<b>66</b>	590mm X 590mm
	<b>126</b>	1190mm X 590mm
<b>Body Size (SF)</b>	<b>66</b>	605mm X 605mm
	<b>126</b>	1110mm X 610mm
<b>Driver</b>	<b>S</b>	Standard Driver
	<b>D</b>	Dali Driver
	<b>W</b>	Wireless
	<b>A</b>	1-10V Driver
	<b>T</b>	Touch Dimming Driver
<b>Output (66)</b>	<b>04</b>	4000 Lumens
	<b>05</b>	5000 Lumens
	<b>06</b>	6000 Lumens
	<b>07</b>	7000 Lumens
<b>Output (126)</b>	<b>08</b>	8000 Lumens
	<b>10</b>	10000 Lumens
	<b>12</b>	12000 Lumens
	<b>14</b>	14000 Lumens
<b>Colour Temperature</b>	<b>30</b>	3000 Kelvin
	<b>40</b>	4000 Kelvin
<b>Sensor</b>	-	No Sensor
	<b>MS</b>	Mini Sensor
<b>Emergency</b>	-	No Emergency
	<b>EL</b>	3 Hour Emergency
	<b>ST</b>	Self-Test 3 Hour Emergency
	<b>ED</b>	3 Hour Emergency DALI EM Pro
	<b>LM</b>	Lithium Emergency
<b>Diffuser</b>	<b>OP</b>	Opal
	<b>MP</b>	Microprism
<b>Body Colour</b>	<b>W</b>	White
	<b>B</b>	Black
	<b>S</b>	Silver
	<b>O</b>	Other/Specified