

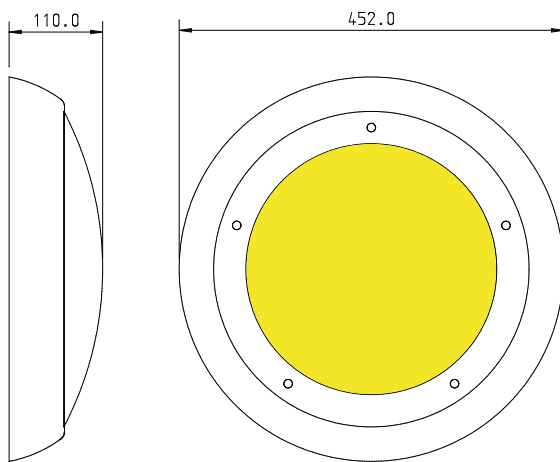
DOME Anti-Ligature

MANUFACTURING IN THE
UNITED KINGDOM

- Body constructed from powder coated steel
- TPa rated high transmission opal polycarbonate diffuser
- Tridonic LED modules and drivers
- Surface or ceiling mounting
- Anti-ligature
- Available with tamper proof screws
- Wireless option available
- Optional LiFePO4 Lithium Battery for extended life
- IP44 rated
- IK10 rated
- 5 year warranty on LED system

PRODUCT CODE

Product	DOM	Dome Bulkhead
Driver	S	Standard Driver
	D	Dali Driver
	W	Wireless Dim
	A	1-10V Driver
	T	Touch Dimming Driver
Output	01	1000 Lumens
	02	2000 Lumens
	03	2600 Lumens
Colour Temperature	3	3000 Kelvin
	4	4000 Kelvin
Sensor	-	No Sensor
	MW	Microwave Sensor
Emergency	-	No Emergency
	EL	3 Hour Emergency
	ST	Self-Test 3 Hour Emergency
	ED	3 Hour Emergency DALI EM Pro
	LM	Lithium Emergency
Body Colour	W	White
	B	Black
	S	Silver



Ambient operating temperature 25°C

