

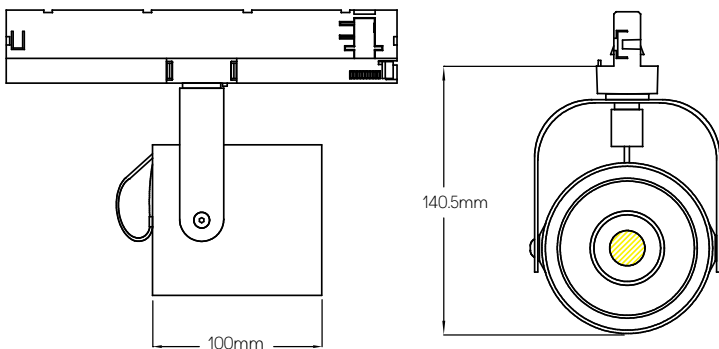
Quartet QTR Track Mounted Spotlight

MANUFACTURING IN THE
UNITED KINGDOM 

- Body constructed from powder coated steel
- Passive aluminium heatsink
- 70mm reflector
- Tridonic LED modules and drivers
- 3 step MacAdams 80 + 90 CRI
- 2 step MacAdams 98 CRI
- Interchangeable reflectors
- Accessories available
- 5 year warranty on LED system

PRODUCT CODE		
Product	QTR	QTR LED Spotlight
Driver	-	In-track Driver
Output	20	2000 Lumens
	25	2500 Lumens
	27	2700 Kelvin
Colour Temperature	30	3000 Kelvin
	35	3500 Kelvin
	40	4000 Kelvin
	-	Ra80 Standard
Colour Rendering	N	Ra90
	F	Ra95 Fashion
	A	Ra98 Art*
	S	Spot Twist-lock Reflector
Beam Angle	M	Medium Twist-lock Reflector
	W	Wide Twist-lock Reflector
	-	3-Circuit Track Adapter
Mounting	SF	Surface Mounted
	W	White
Body Colour	B	Black

* Max 2000lm



Ambient operating temperature 25°C
Due to constant product development specification may change without prior notification