

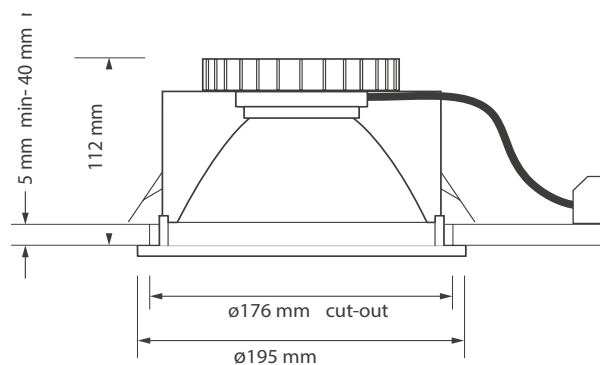


## GRAVITY

### Recessed Downlight

MANUFACTURING IN THE  
**UNITED KINGDOM**

- Die cast aluminium bezel
- Passive aluminium heatsink
- Tridonic LED modules and drivers
- Interchangeable accessories
- IP65 bezel available
- High colour consistency 3 step MacAdam
- High colour rendering CRI>80
- L80 F10 > 50000 hours
- Wireless option available
- 5 year warranty on LED system



Ambient operating temperature 25°C - Do not cover back of fitting  
Due to constant product development specification may change without prior notification.

#### PRODUCT CODE

<b>Product</b>	GR	Gravity Downlight
<b>Driver</b>	-	Standard Driver
	D	Dali Driver
	W	Wireless
	T	Touch Dimming Driver
<b>Output</b>	10	1000 Lumens
	20	1800 Lumens
	30	2800 Lumens
<b>Colour Temperature</b>	30	3000 Kelvin
	40	4000 Kelvin
<b>Beam Angle</b>	40	40° Specular Reflector
	50	50° Facted Reflector
	60	60° Satin Reflector
<b>Emergency</b>	-	No Emergency
	EL	3 Hour Emergency
	ST	Self-Test 3 Hour Emergency
	ED	3 Hour Emergency Dali EM Pro
<b>Bezel Colour</b>	W	White
	B	Black
	S	Silver
<b>Accessories</b>	-	No Accessories
	CG	Clear Glass
	EG	Etched Glass
	OE	Outer Etched Glass
	IP65	IP65 Clear Polycarbonate
	OP/IP65	IP65 Opal Polycarbonate