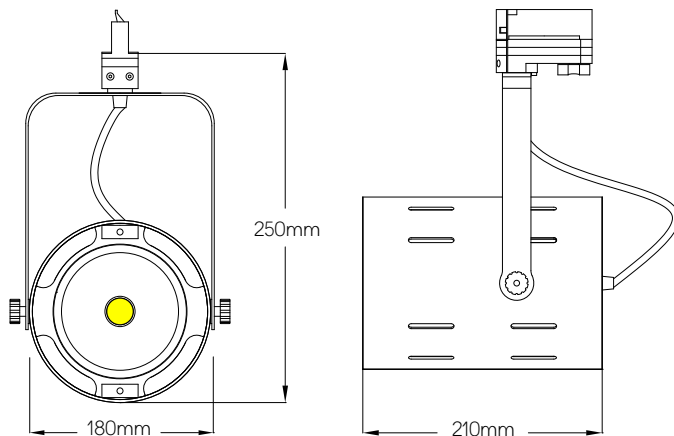




## Quartet QMR Track Mounted Spotlight

MANUFACTURING IN THE  
**UNITED KINGDOM**

- Body constructed from powder coated steel
- Passive aluminium heat sink
- Interchangeable reflectors
- Tridonic SLE COB technology
- High colour rendering
- 3 step MacAdam CRI 80/90/95
- 2 step MacAdam CRI 97 Art
- Wireless option available
- 5 year warranty on LED system



Ambient operating temperature 25°C  
Due to constant product development specification may change without prior notification

PRODUCT CODE	
<b>Product</b>	<b>QMR</b> QMR Spotlight
<b>Driver</b>	S Standard Driver
	D Dali Driver
	W Wireless Dim
	A 1-10V Driver c/w Potentiometer*
	C Triac Driver*
<b>Output</b>	10 1000 Lumens
	20 2000 Lumens
	30 3000 Lumens
	40 4000 Lumens
	50 5000 Lumens
<b>Colour Temperature</b>	27 2700 Kelvin
	30 3000 Kelvin
	32 3250 Kelvin
	35 3500 Kelvin
	40 4000 Kelvin
<b>Colour Rendering</b>	S Ra80
	N Ra90
	F Ra95 Fashion**
	A Ra97 Art***
<b>Beam Angle</b>	10 15° Reflector
	30 30° Reflector
	40 40° Reflector
<b>Mounting</b>	TC 3-Circuit Track Adapter
	SF Surface Mounted
	SC Single Circuit Track Adapter
	DT Dali Track Adapter
<b>Body Colour</b>	W White
	B Black
	S Silver
	O Other/Specified

\* Not available in all outputs  
\*\* 3250K only  
\*\*\* 3000K only