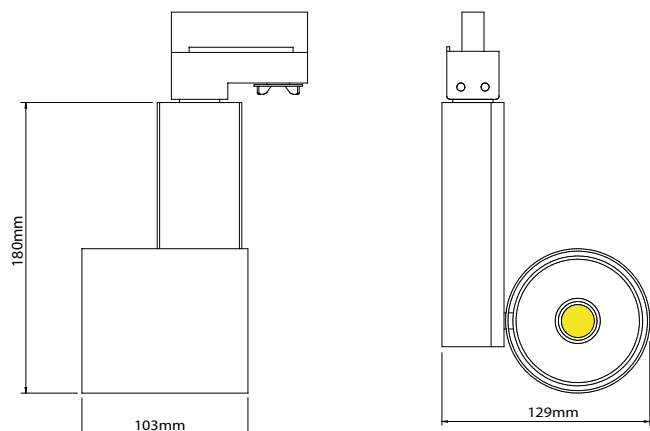




Quartet QSL Track Mounted Spotlight

MANUFACTURING IN THE
UNITED KINGDOM

- Body constructed from powder coated steel
- Passive aluminium heatsink
- Twist lock metalised polycarbonate reflector
- Interchangeable reflectors
- Tridonic SLE COB technology
- High colour rendering
- 3 step MacAdam CRI 80/90/95
- 2 step MacAdam CRI 97 Art
- Anti-Glare cowl and barn door accessories available
- Wireless option available
- 5 year warranty on LED system



PRODUCT CODE	
Product	QSL QSL Spotlight
Driver	S Standard Driver
	D Dali Driver
	W Wireless Dim
	A 1-10V Driver C/W Potentiometer*
Output	10 1000 Lumens
	15 1500 Lumens
	20 2000 Lumens
	25 2500 Lumens
Colour Temperature	3 3000 Kelvin
	4 4000 Kelvin
Colour Rendering	S Ra80
	N Ra90
	F Ra95 Fashion**
	A Ra97 Art***
Beam Angle	S Spot Twist-lock Reflector
	M Medium Twist-lock Reflector
	W Wide Twist-lock Reflector
Mounting	TC 3-Circuit Track Adapter
	SF Surface Mounted
	SC Single Circuit Track Adapter
	DT Dali Track Adapter
Body Colour	W White
	B Black
	S Silver
	O Other/Specified

* Not available in all outputs
** 3250K Only
*** 3000K Only

For dimensions C/W potentiometer add 20mm to height of fitting
Ambient operating temperature 25°C
Due to constant product development specification may change without prior notification