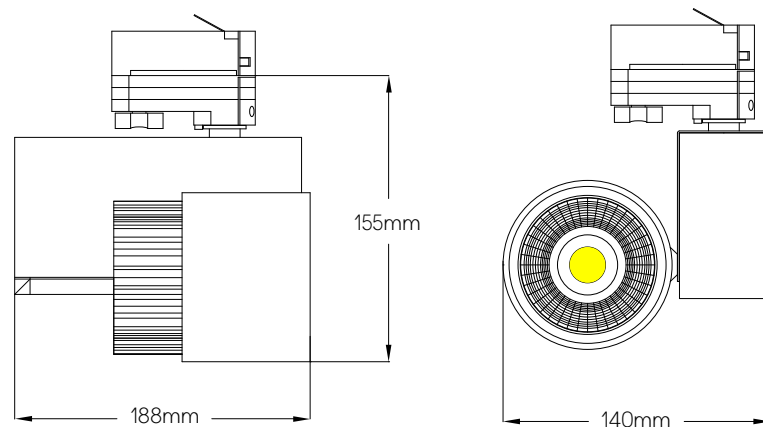




QUARTET QUNX Track Mounted Spotlight

MANUFACTURING IN THE
UNITED KINGDOM

- Body constructed from powder coated steel
- Passive aluminium heat sink
- Xicato LED modules
- Interchangeable reflectors
- High colour rendering
- 1x2 step MacAdam over life
- Anti-Glare cowl and barn door accessories available
- Wireless option available
- 5 year warranty on LED system



PRODUCT CODE	
Product	QUNX QUNX Spotlight
Driver	S Standard Driver
	D Dali Driver
	W Wireless Dim
	A 1-10V Driver C/W Potentiometer*
	C Triac Driver*
Output	07 700 Lumens
	10 1000 Lumens
	13 1300 Lumens
	20 2000 Lumens
Colour Temperature	27 2700 Kelvin
	30 3000 Kelvin
	35 3500 Kelvin
	40 4000 Kelvin
	Colour Rendering
A Ra97 Artist Series	
V Ra83 Vibrant	
R Ra96 Vibrant	
B Ra95 Beauty Series	
Beam Angle	24 24° Twist-lock Reflector
	40 40° Twist-lock Reflector
	60 60° Twist-lock Reflector
Mounting	TC 3-Circuit Track Adapter
	SF Surface Mounted
	SC Single Circuit Track Adapter
	DT Dali Track Adapter
Body Colour	W White
	B Black
	S Silver
	O Other/Specified

* Not available in all outputs

Ambient operating temperature 25°C

