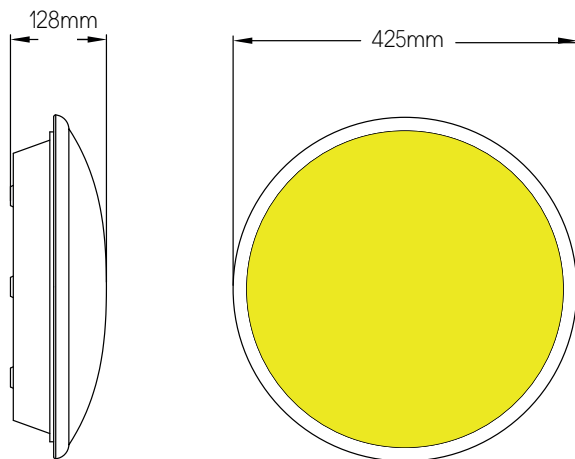


## GALAXY Bulkhead

MANUFACTURING IN THE  
**UNITED KINGDOM**

- Body constructed from powder coated spun aluminum
- TPa rated high transmission opal polycarbonate diffuser
- Tridonic LED modules and drivers
- Wall or ceiling mountable
- Various powder coated finishes
- Wireless option available
- Optional LiFePO4 Lithium Battery for extended life
- IP20 rated
- 5 year warranty on LED system



PRODUCT CODE		
<b>Product</b>	<b>GAL</b>	Galaxy Bulkhead
<b>Driver</b>	<b>S</b>	Standard Driver
	<b>D</b>	Dali Driver
	<b>W</b>	Wireless Dim
	<b>A</b>	1-10V Driver
	<b>T</b>	Touch Dimming Driver
<b>Output</b>	<b>01</b>	1100 Lumens
	<b>02</b>	2200 Lumens
	<b>03</b>	3200 Lumens
	<b>04</b>	4400 Lumens
<b>Colour Temperature</b>	<b>3</b>	3000 Kelvin
	<b>4</b>	4000 Kelvin
<b>Sensor</b>	<b>-</b>	No Sensor
	<b>MW</b>	Microwave Sensor
<b>Emergency</b>	<b>-</b>	No Emergency
	<b>EL</b>	3 Hour Emergency
	<b>ST</b>	Self-Test 3 Hour Emergency
	<b>ED</b>	3 Hour Emergency Dali EM Pro
	<b>LM</b>	Lithium Emergency
<b>Body Colour</b>	<b>W</b>	White
	<b>S</b>	Silver
	<b>O</b>	Other/Specified

Ambient operating temperature 25°C

